

TAROS Electromagnetic Locks

Doornics' TAROS series EM Locks, EMS-600P and EMS-380M provide 600lbs(270Kg) and 850lbs(380Kg) of holding force. TAROS series EM Locks can be installed on multiple door types such as fire exit, hollow metal, aluminum, wooden and light weight doors.

Fall-Safe Operation

All TAROS series EM Locks are often employed to secure doors that are also emergency exit paths. It is vital for life safety that the doors immediately release to permit evacuation.

Easy Installation with a simplified mounting plate

TAROS EM Locks require no special tools and include all hardware and installation templates for typical applications.

Security Standards CE

All our EM Locks conform to health, safety and environmental requirements laid down by the European CE of German TUV.



EMS-600P



EMS-380M

EMS-380M

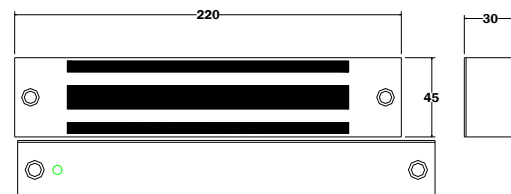
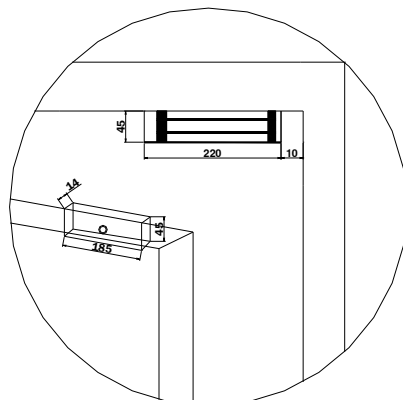
Specifications

Holding Force	850lbs (380Kg)
Input Voltage	DC12V, DC24V
Current Draw	DC12V@600mA, DC24V@300mA
Magnetic Dimension	220mm(L)x45mm(W)x30mm(H)
Armature	185mm(L)x45mm(W)x14mm(H)
Operating temperature	-20℃ ~ +60℃
Weight	2.5 Kg

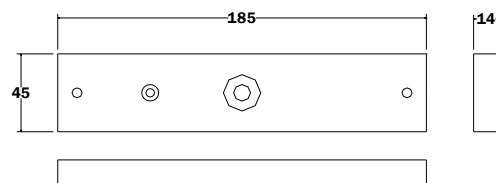
Features

- Designed for Inswing or Outswing Door.
- Waterproof type, suitable for outside door also.
- Ideally devised for Fire exit door, Wooden door, Light weighted door.
- Fixed by blind nuts, improve disadvantage of screw fixed door.
- Detect opening of the door with the monitor function.
- Stainless Steel housing.

Dimension



Magnetic Body



Amature

DOORNICS CO., LTD.

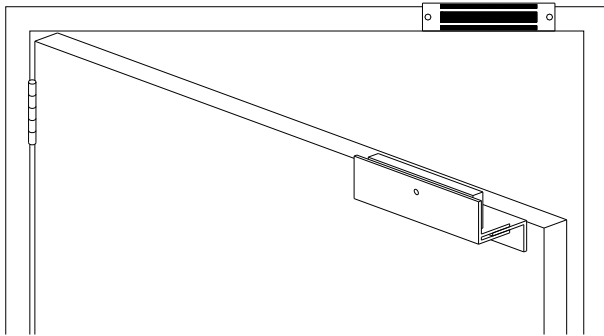
SK Techno B/D No. 903, 16-4, Seongsu-Dong 1-Ga, Seongdong-Gu, Seoul, 133-112, Korea
 Tel : +82-2-3409-2590~4 Fax : +82-2-3409-2100
 E-mail : doornics@chollian.net Website : www.doornics.co.kr



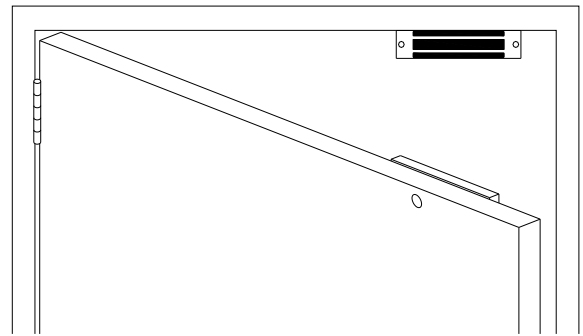
The products are manufactured under an ISO 9001 & 2000 and Certified CE.

Related Products

Z-380 Mounting "Z" bracket

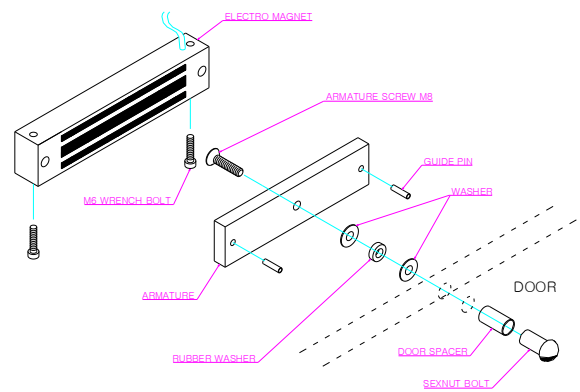
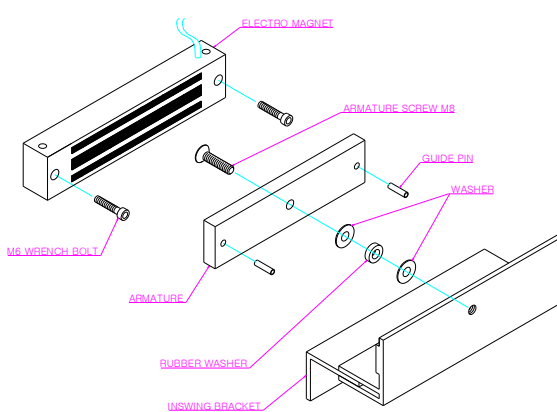


Inswing Doors



Outswing Doors

Mounting Accessories



DOORNICS CO., LTD.

SK Techno B/D No. 903, 16-4, Seongsu-Dong 1-Ga, Seongdong-Gu,
 Seoul, 133-112, Korea
 Tel : +82-2-3409-2590~4 Fax : +82-2-3409-2100
 E-mail : doornics@chollian.net Website : www.doornics.co.kr



The products are manufactured under an ISO 9001 & 2000 and Certified CE.