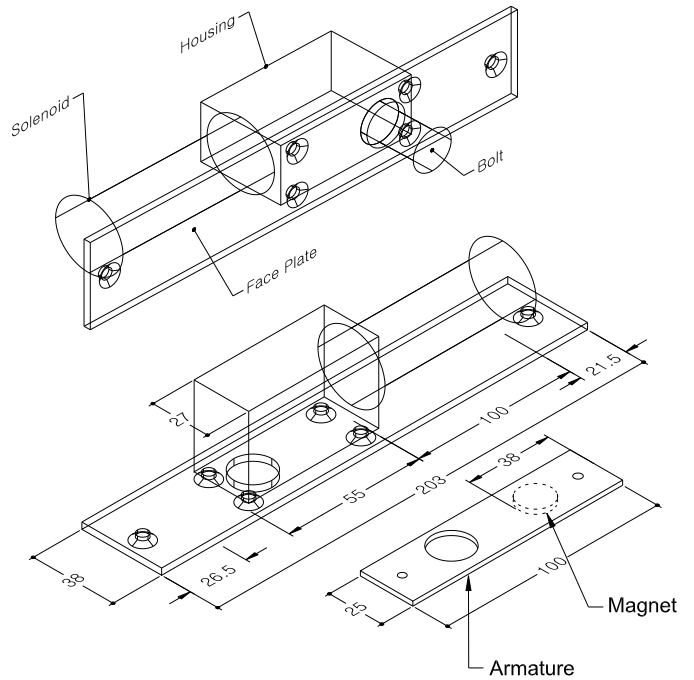
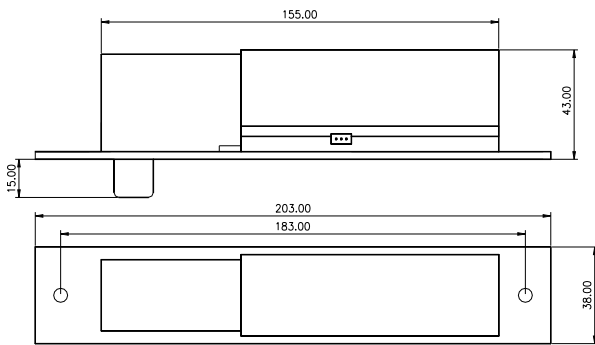


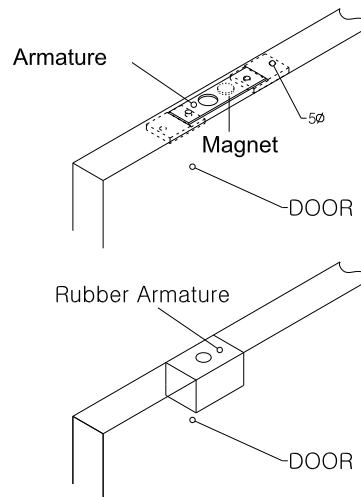
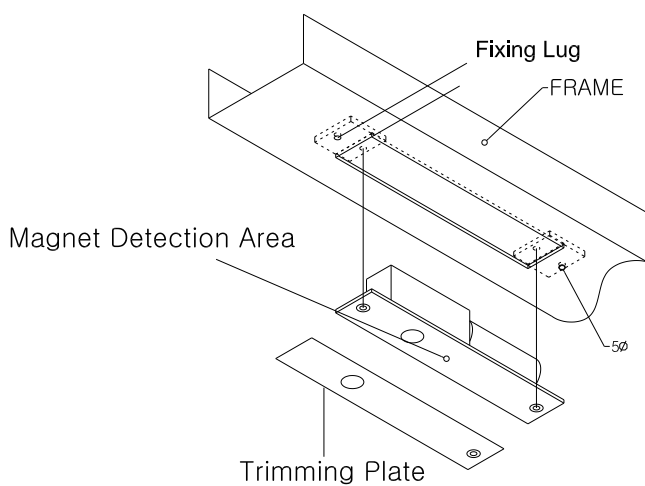
**INSTALLATION INSTRUCTIONS**

**TABOS Series Electric Deadbolt DEB-200**

**Dimensions**



**Installation**



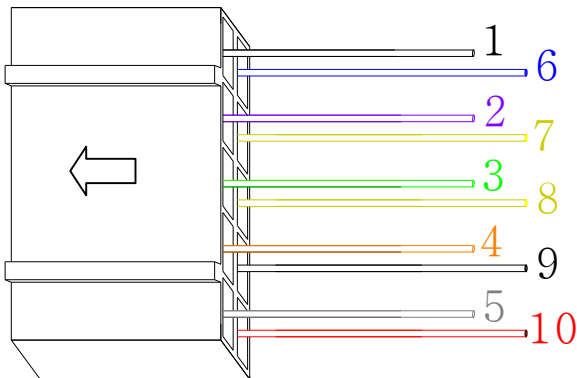
**DOORNICS CO., LTD.**

SK Techno B/D No. 903, 16-4, Seongsu-Dong 1-Ga, Seongdong-Gu,  
 Seoul, 133-112, Korea  
 Tel : +82-2-3409-2590~4 Fax : +82-2-3409-2100  
 E-mail : doornics@chollian.net Website : www.doornics.co.kr



The products are manufactured under an ISO 9001 & 2000 and Certified CE.

**Wiring**



- |                           |                         |
|---------------------------|-------------------------|
| 1 LOCK SENSOR COM - WHITE | 6 LOCK SENSOR NO - BLUE |
| 2 LOCK SENSOR NC - PURPLE | 7 OPEN S/W - YELLOW     |
| 3 DOOR SENSOR NO - GREEN  | 8 OPEN S/W - YELLOW     |
| 4 DOOR SENSOR COM- ORANGE | 9 - GND - BLACK         |
| 5 DOOR SENSOR NC - GRAY   | 10 + DC 12/24V - RED    |

**Electrical Data :**

- Operating : DC12V@650mA±10% , DC24V@620mA ±10%
- Stand by : DC12V@250mA±10% , DC24V@150mA ±10%



Connection of an incorrect voltage may result in damage not covered by the product warranty.

**Standard Configuration : 12 VDC, Fail- Safe**

**Auto Relocking Timer Setting**

The door locking delay is the time between the door being closed and the bolt engaging. This can be set to up to 0, 3 and 5 seconds by PIN which is located on the side of the unit.

**Default setting : 3 second**



**Monitoring**

Unlocked	White (COM), Purple (N.C)
Locked	White (COM), Blue (N.O)

**DOORNICS CO., LTD.**

SK Techno B/D No. 903, 16-4, Seongsu-Dong 1-Ga, Seongdong-Gu, Seoul, 133-112, Korea  
 Tel : +82-2-3409-2590~4 Fax : +82-2-3409-2100  
 E-mail : doornics@chollian.net Website : www.doornics.co.kr



The products are manufactured under an ISO 9001 & 2000 and Certified CE.