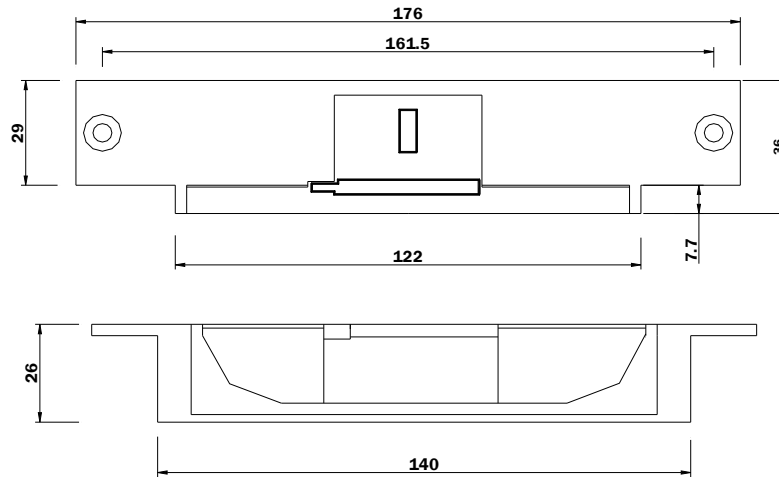


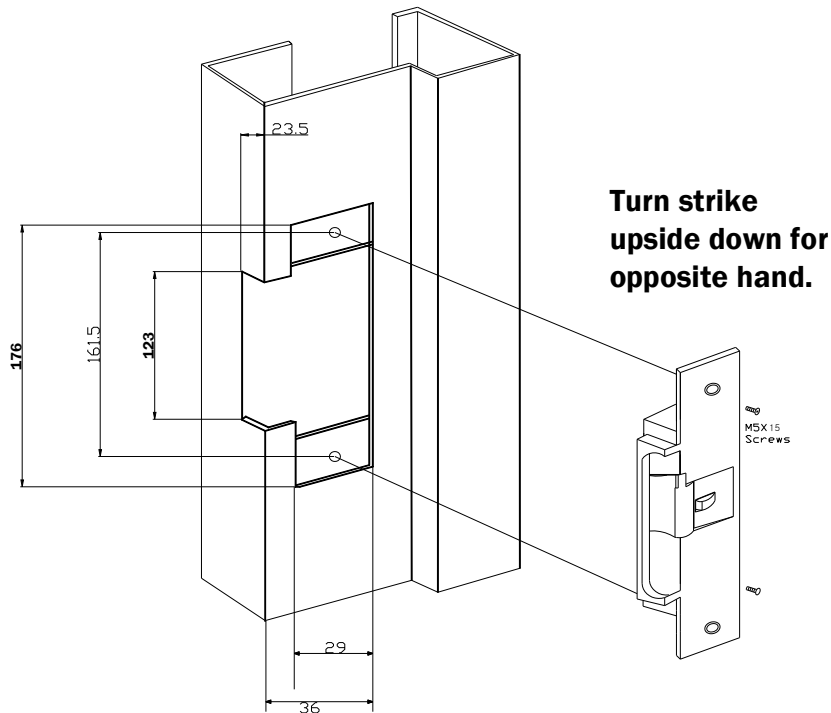
INSTALLATION INSTRUCTIONS

TABOS Series Electric Strike DES-2200

Dimensions



Installation



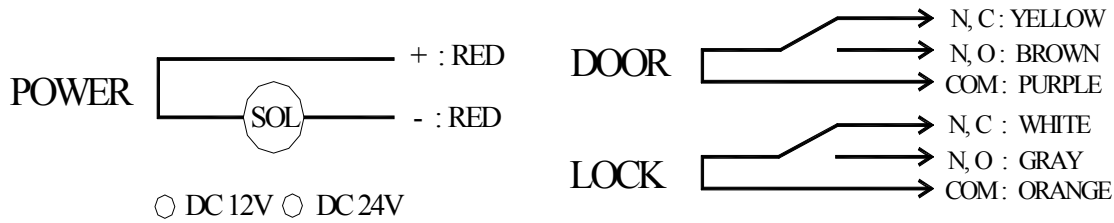
DOORNICS CO., LTD.

SK Techno B/D No. 903, 16-4, Seongsu-Dong 1-Ga, Seongdong-Gu,
Seoul, 133-112, Korea
Tel : +82-2-3409-2590~4 Fax : +82-2-3409-2100
E-mail : doornics@chollian.net Website : www.doornics.co.kr



The products are manufactured under an ISO 9001 & 2000 and Certified CE.

Wiring



Electrical Data :

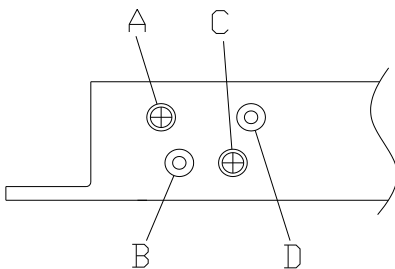
DC12V@160mA±10% , DC24V@110mA ±10%



Connection of an incorrect voltage may result in damage not covered by the product warranty.

How to change Fail Safe / Fail Secure

Standard Configuration : 12 VDC, Fail- Safe



Status	A	B	C	D
Fail Secure (Locks when power fails)	0		0	
Fail Safe (Unlocks when power fails)		0		0

Notes

Fail – Secure Operation : Unlocks when energized.

If power fails, the strike remains in a locked condition.

Fail – Safe Operation : Locks when energized. Used in applications requiring automatic unlocking in case of power failure.

Duplex monitoring (Lock & Door)

Unlocked	Orange (COM), White (N.C)
Locked	Orange (COM), Gray (N.O)

Door In condition	Purple (COM), Brown (N.O)
Door Out condition	Purple (COM), Yellow (N.C)

Two internally mounted switches (Form “C”) to indicate when the latchbolt is engaged in the strike jaws and a locked / unlocked solenoid status.

* Standard Package : Mounting Screws (M5x15) 2pcs,

DOORNICS CO., LTD.

SK Techno B/D No. 903, 16-4, Seongsu-Dong 1-Ga, Seongdong-Gu,
 Seoul, 133-112, Korea
 Tel : +82-2-3409-2590~4 Fax : +82-2-3409-2100
 E-mail : doornics@chollian.net Website : www.doornics.co.kr



The products are manufactured under an ISO 9001 & 2000 and Certified CE.